



Custom Printed Notes

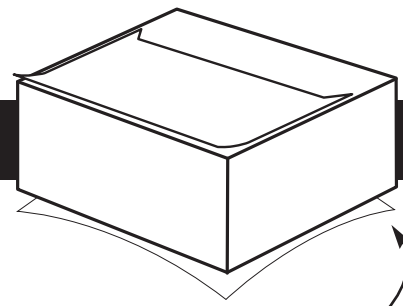
January 1, 2006

Concept Template

Additional concept templates available at: www.3M.com/templates

#PJ33 Post-it® Pop'n Jot™

Standard Pak: 2-7/8" x 3-1/4" x 1-11/16"



Optional Stay-In-Place Base (No Imprint Area)

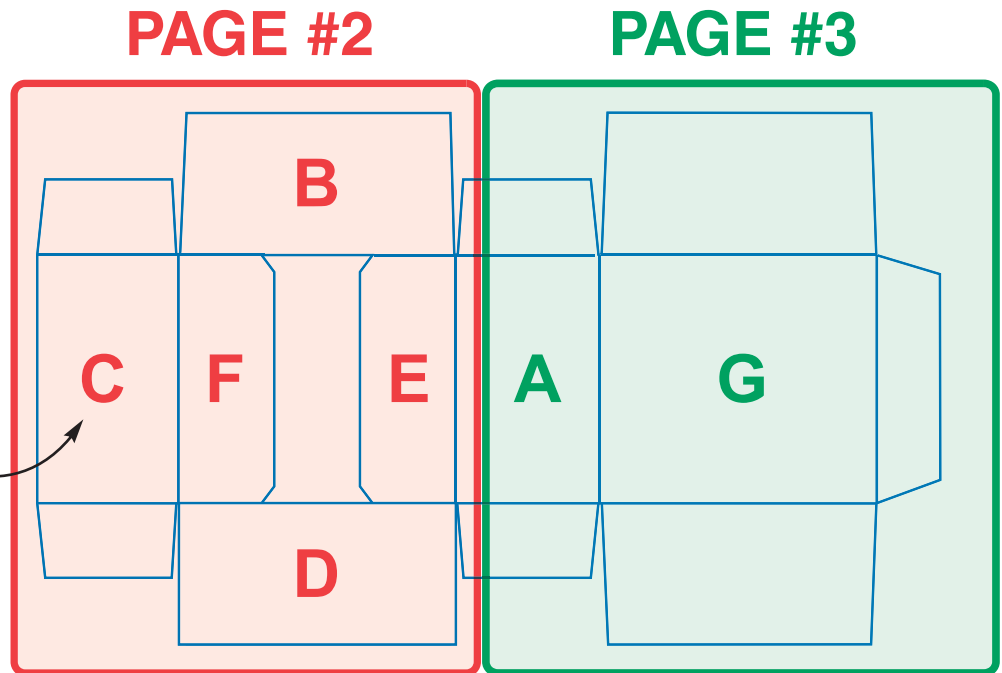
MUST PRINT BEFORE USING

"When printing this template, de-select "Fit to Page" help ensure template prints out at actual size.

Concept templates are paper documents that are used by customers and sales professionals to create "cut & tape mock-ups" in anticipation of an order. For electronic art preparation, production templates are available at: www.3M.com/templates.

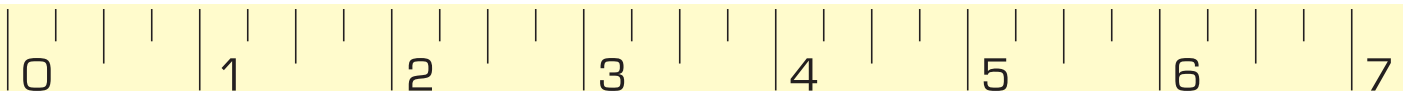
This template has been divided into the following two pages. The diagram to the right shows how it has been divided. Once printed, both halves can be aligned and taped together to create a complete template.

Imprint areas have been indicated for reference.



This diagram is NOT TO SCALE

ACTUAL SIZE RULER - Please check before using



File must be printed before use.

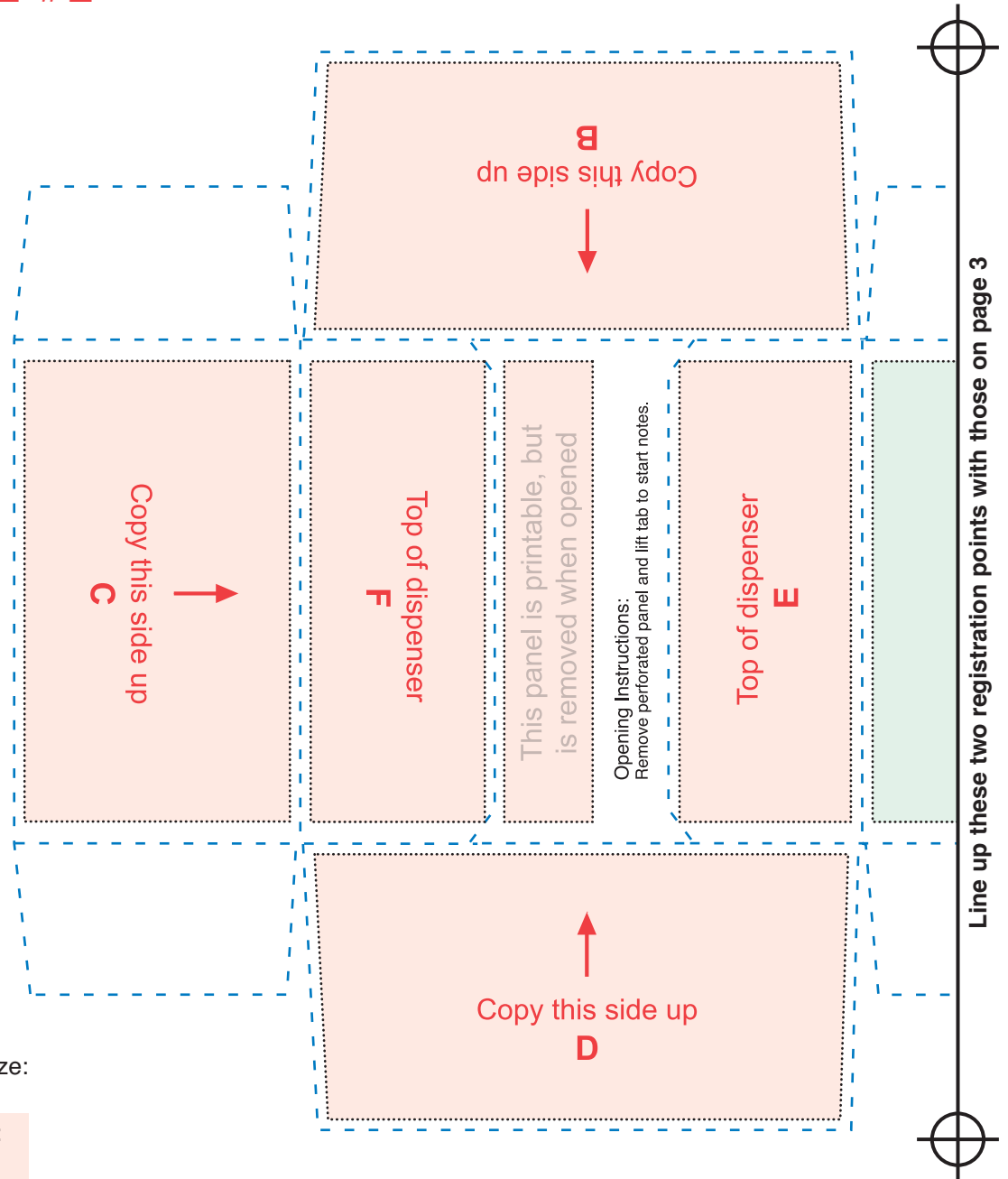
Post-it and Pop'n Jot are registered trademarks of 3M. © 3M 2006



Concept Template

Additional concept templates available at:
www.3M.com/templates

#PJ33 – PAGE #2



SCALE = 100%



• Approximate assembled size:
2-7/8" x 3-1/4" x 1-11/16"

• Approximate imprint areas:

B: 1-1/2" x 3"

C: 1-1/2" x 2-5/8"

D: 1-1/2" x 3"

E: 1" x 2-5/8"

F: 1" x 2-5/8"

• Black dotted line indicates imprint area

File must be printed before use.

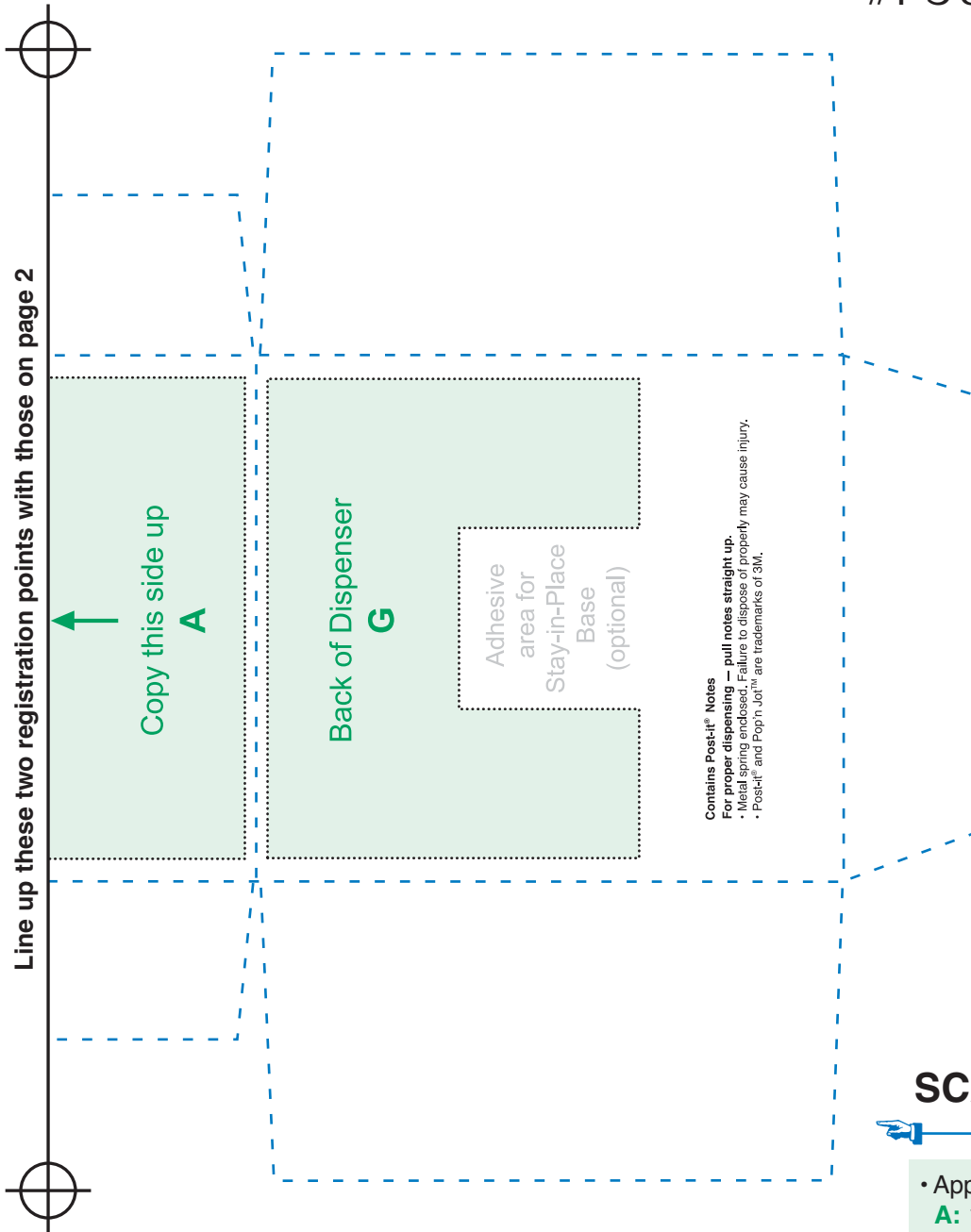
Post-it and Pop'n Jot are registered trademarks of 3M. © 3M 2006



Concept Template

Additional concept templates available at:
www.3M.com/templates

#PJ33 – PAGE #3



SCALE = 100%



- Approximate imprint areas:
 - A:** 1-1/2" x 2-5/8"
 - G:** 2" x 2-5/8"
- Black dotted line indicates imprint area

File must be printed before use.

Post-it and Pop'n Jot are registered trademarks of 3M. © 3M 2006

